



TSCHORN®

Mess- und Spannmittel



SAVEplus
slim & inexpensive

— precise. pioneering. worldwide. —

www.3DTaster.de



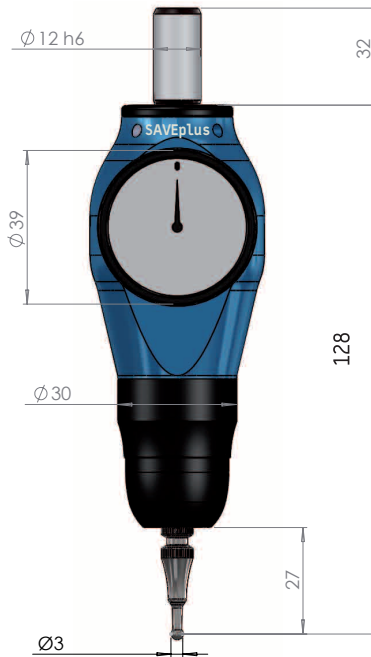


Adjustable
scale

NON- MAGNETIC

Stainless steel

Solid carbide



3D-Tester SAVEplus
Art-No. 00163B012



Probe tip standard
Art-No. 00163D003

Probe tip long
Art-No. 00163D006



Art,- No.	Description	Shank	Length	Probe
00163B012	3D-Tester SAVEplus	Ø12	approx. 128	Ø3
00163D003	Probe tip standard	-	27	Ø3
00163D006	Probe tip long	-	62	Ø6

Tschorn GmbH

Measuring instruments
and clamping tools
Dieselstrasse 8
73660 Urbach – Germany

Phone +49 7181 606 986 - 0
Fax +49 7181 606 986 - 9
info@tschorn-gmbh.de

Prices are ex-works including loading at the factory, however excluding packaging and unloading. Sales tax will be added to the price at the legal required amount. The Incoterms 2010: EXW Urbach apply. Our general terms are available on our website www.tschorn-gmbh.de. Technical modifications are subject to change.

© Copyright Tschorn GmbH

All rights reserved. All pictures, graphics, images, texts, audio-, video- and animated data of this catalogue are subject to copyright or other rights to protect intellectual property. Copying, editing, changing or using this data in other electrical or printed publications are subject to prior explicit approval of Tschorn GmbH.

Photo credits:

Flag: © moonrun - Fotolia.com

Made in Germany: © Jokatoons - Fotolia.com



For each 3D-Tester sold, we donate one euro to the "Kinderreich" programme of „Deutscher Kinderschutzbund Schorndorf/Waiblingen“. It will support children in our region who are suffering from poverty or are socially disadvantaged.

www.3DTaster.de

Katalog 3DB15.1
05.09.2015